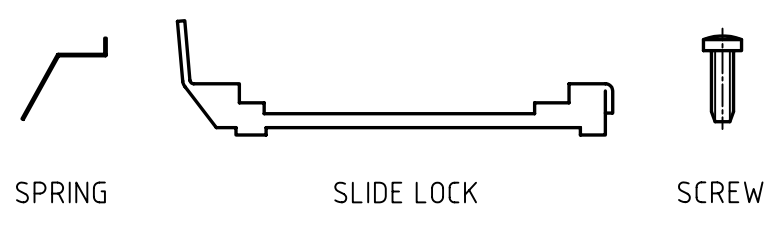
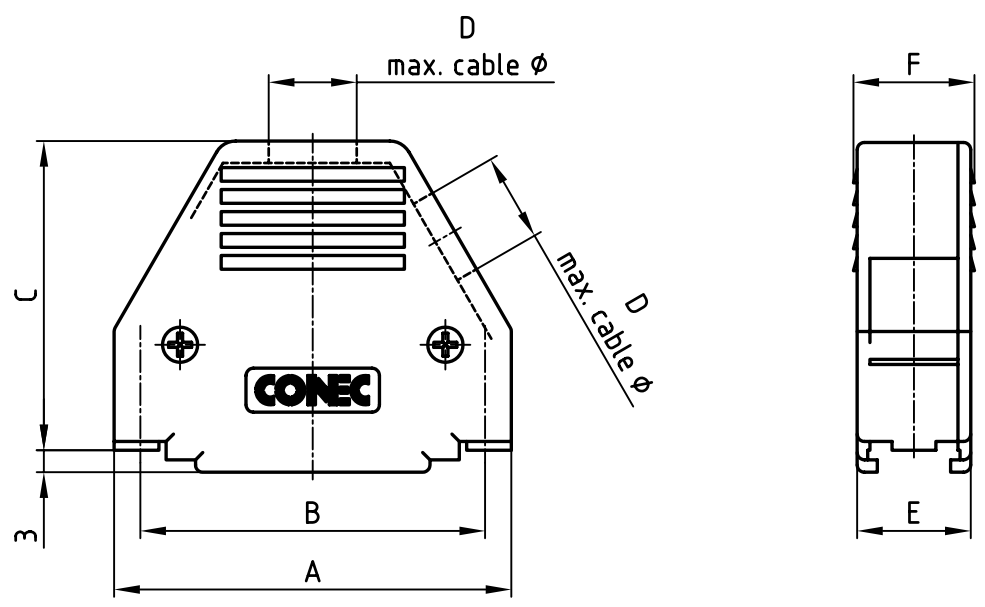


used for: D-SUB



(b)

POS.	A	B	C	D max. cable $\phi$	E	F	Part No. Single package
9	32.0	25.0	36.7	6.3	15.5	16.5	165X11279XE
15	40.0	33.3	38.2	8.0	15.5	16.5	165X11289XE
25	54.2	47.0	42.2	10.5	15.5	16.5	165X11299XE
37	70.6	63.5	47.2	11.5	15.5	16.5	165X11309XE

- NOTES:**
- HOOD + COVER: ABS UL 94 V-0, BLACK
  - BLIND PLUG: ABS UL 94 V-0, BLACK
  - CABLE STRAIN RELIEF: STEEL; NICKEL PLATED
  - SPRING: STEEL; TIN PLATED
  - SLIDE LOCK: STEEL; NICKEL PLATED
  - SCREWS: STEEL; NICKEL PLATED

Directive 2002/95/EC  
"RoHS"  
Compliant

THIS DRAWING MAY NOT BE COPIED OR REPRODUCED IN ANY WAY, AND MAY NOT BE PASSED ON TO A THIRD PARTY WITHOUT WRITTEN PERMISSION.  
 OWNERSHIP AND COPYRIGHT OF CONEC GmbH  
 DO NOT ALTER CAD DRAWING BY HAND

tolerance				scale: 1:1	
				material: SEE NOTES	
				title:	
				<b>PLASTIC HOOD</b> 9-37pos. WITH TOP AND SIDE CABLE EXIT with slide lock	
				dwg no: AutoCAD 2004	
				DIN-A	
				4	
				sh: 1/1	
				part no: SEE TABLE	



2006	date	name
drawn	07.02.	Lehmenkühler
appd.	07.02.	Mickenbecker
norm		
d-old		
1 x b	Ä 2607	21.11.2006 Lehmen
a	Origin	
rev.	description	date name

4 3 2 1